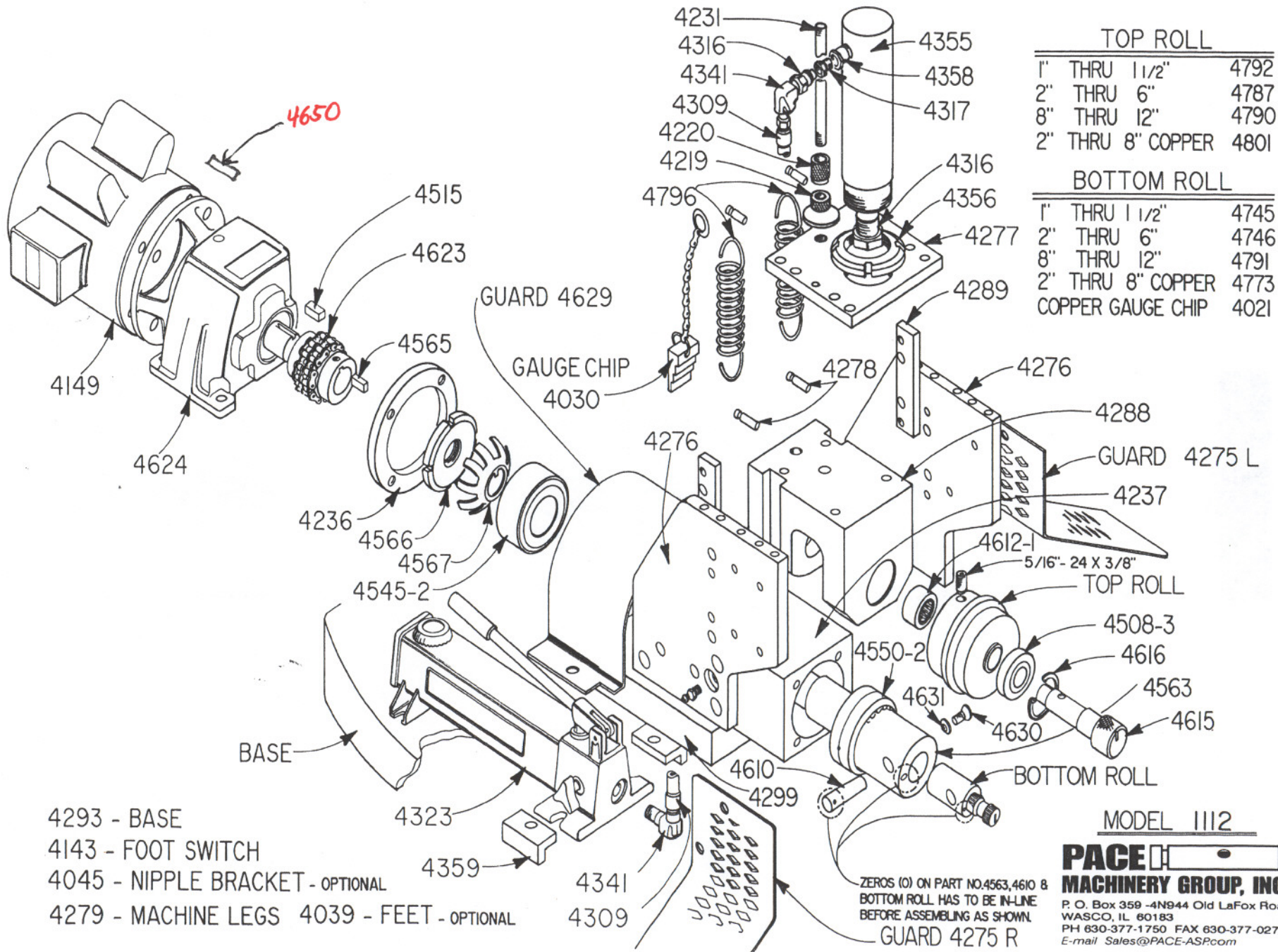


Parts List

Pace Part #	Description	Quantity Per Machine
4030	Groove Depth Gage	1
4140	Cord Grip	1
4143	Foot Switch (110 volt)	1
4149	1 1/2 HP 110 volt Motor	1
4219	Stop Nut	1
4220	Stop Nut Lock	1
4231	Stop Rod	1
4236	Rear Bearing Retainer	1
4237	Housing-Main Shaft	1
4275-L	Safety Guard	1
4275-R	Safety Guard	1
4276	Side Frame	1 pr.
4277	Top Plate	1
4278	Spring Pins	4
4279	Legs	4
4288	Slide	1
4289	Gibbs	2
4293	Base	1
4299	Sub Plate	1
4309	Hydraulic Hose	1
4316	Hose Coupling (Hose Half)	1
4317	Hose Coupling (Ram Half)	1
4323	Hydraulic Pump	1
4341	90° Street Elbow	2
4355	Hydraulic Cylinder	1
4356	Hyd. Cyl. Lock Nut	1
4358	3/8" to 1/4" Reducing Bushing	1
4359	Pump Hold Down	2
4360	Ram Piston Rod Coupler	1
4508-3	Idler Shaft Front Bearing	1
4515	Gear Reducer Drive Key (1/4" x 1/4" x 3/8")	1
4545-2	Drive Shaft Rear Bearing	1
4550-2	Drive Shaft Front Bearing	1
4563	Drive Shaft	1
4565	Drive Shaft Drive Key	1
4566	Drive Shaft Nut	1
4567	Drive Shaft Lock washer	1
4610	Bottom Roll Drive Pin-Locking	1
4612-1	Idler Shaft Rear Bearing	1
4615	Idler Shaft	1
4616	Snap Ring	1
4623	Chain Coupler (7/8" x 1")	1
4624	Gear Reducer	1
4629	Chain Coupler Guard	1
4630	1/4-20 x 3/4" FHSC	1
4631	Countersunk Washer	1
4796	Return Springs	2

Pace Part #	Description	Quantity Per Machine
Standard Rolls		
4792	Top Roll 1"-1 1/2"	1
4787	Top Roll 2"-6"	1
4790	Top Roll 8"-12"	1
4745	Bottom Roll 1"-1 1/2"	1
4746	Bottom Roll 2"-6"	1
4791	Bottom Roll 8"-12"	1
Optional Rolls		
4801	2" - 8" Top Roll (Copper)	1
4773	Bottom Roll 2"-8" (Copper)	1
4021	Groove Depth Gage(Copper)	1
4039	Feet (Optional)	4
4045	Nipple Bracket (Optional)	1
Hardware		
	1/2-20 Hex Nut	1
	1/2-13 x 3/4" BHCS	2
	1/2-13 x 1" BHCS	2
	1/4-28 x 5/8" SHCS	4
	5/16-18 x 1" SHCS	8
	1/4-20 x 3/4" FHCS	4
	1/4-20 x 3/8" BHCS	4
	5/16-24 x 3/8" SSS	1
	3/8-16 x 1 1/4" HHCS	6
	3/8" Lock washers	10
	3/8-16 x 1 1/8" HHCS	4
	3/8-16 x 1 1/2" HHCS	4
	3/8-16 x 3/4" BHCS	2
	1/4-20 x 1/2" BHCS	4
	1/4" Lock washer	4
	1/2-13 x 1 1/2" HHCS	1
	1/2-13 x 2 3/4" HHCS	2
	1/2" Lock washers	3
	#2 x 1/4" Type U-Drive Screws	2
	1/8 NPT Grease Zerk	1
	1/4" x 1" Dowel Pins	2
	5/16" x 3/4" Dowels Pins	4
	1/2" x 1" Dowel Pins	4
	5/8" x 1" Dowel Pins	2
	Name Plate	1



TOP ROLL

1" THRU 1 1/2"	4792
2" THRU 6"	4787
8" THRU 12"	4790
2" THRU 8" COPPER	4801

BOTTOM ROLL

1" THRU 1 1/2"	4745
2" THRU 6"	4746
8" THRU 12"	4791
2" THRU 8" COPPER	4773
COPPER GAUGE CHIP	4021

- 4293 - BASE
- 4143 - FOOT SWITCH
- 4045 - NIPPLE BRACKET - OPTIONAL
- 4279 - MACHINE LEGS
- 4039 - FEET - OPTIONAL
- 4323
- 4359
- 4341
- 4309

ZEROS (0) ON PART NO. 4563, 4610 & BOTTOM ROLL HAS TO BE IN-LINE BEFORE ASSEMBLING AS SHOWN.
 GUARD 4275 R

MODEL 1112

PAGE **MACHINERY GROUP, INC.**
 P. O. Box 359 - 4N944 Old LaFox Road
 WASC0, IL 60183
 PH 630-377-1750 FAX 630-377-0274
 E-mail Sales@PACE-ASP.com