



# Add-A-Valve<sup>®</sup>

## Emergency Shut Off Device



Add-A-Valve

### Description

Emergency shut off device for copper tubing eliminates shutdowns. Allows replacement of defective valve or installation of new valve on hot or cold water in 30 minutes or less\* without shutting off water. Valve may be replaced or installed on hot or cold water, H<sub>2</sub>O glycol systems, under pressure, on type M, L & K and copper tube.

\*Times may vary depending on working conditions

### Features

- Eliminates facility shutdowns
- Bottom clean-out cap serves as full port line tap
- Lead free sweat ball valve included in package
- Loc-Tite<sup>®</sup> gasket sealant included
- U.S. and Canadian patent no. 5,316,037

### Pressure Rating

- 220°F x 250 PSI

### Installation Note

For sizes 1-1/4" - 2" you MUST have 2 people.

Add-A-Valve is not meant to be installed multiple times, use only once as an emergency device

Detailed instructions can be found online at:  
<http://www.jomarvalve.com/products/add-a-valve>

### Lead Free Statement

The Jomar Add-a-Valve<sup>®</sup> is an emergency shutdown kit that is comprised of a service saddle, cutting-tee, adhesive and a lead free brass ball valve. It is Jomar's interpretation of the law that the service saddle portion of this kit (the Add-a-Valve<sup>®</sup> cutter assembly) is exempt under the Safe Water Drinking Act and the brass ball valve that is provided is lead free. Therefore, the entire Jomar Add-a-Valve<sup>®</sup> kit meets all federal lead free legislation.

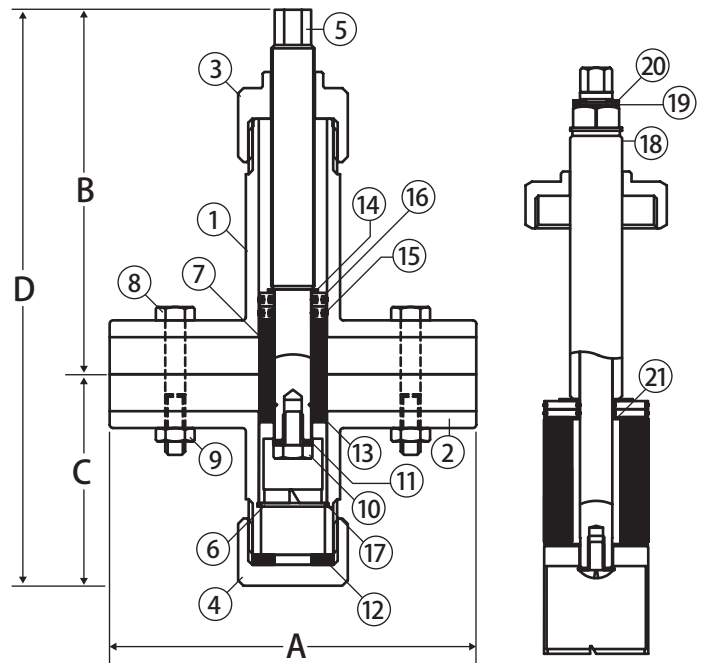
"(4) EXEMPTIONS.—The prohibitions in paragraphs (1) and (3) shall not apply to—

"(B) toilets, bidets, urinals, fill valves, flushometer valves, tub fillers, shower valves, service saddles, or water distribution main gate valves that are 2 inches in diameter or larger."

—Safe Drinking Water Act



**WARNING:** This product can expose you to chemicals including lead, which is known to the State of California to cause cancer, and lead, which is known to the State of California to cause birth defects or other reproductive harm. For more information go to [www.P65Warnings.ca.gov](http://www.P65Warnings.ca.gov).



### Material Specifications

No.	Part	Materials
1	Body Half - Top	Forged Brass
2	Body Half - Bottom	Forged Brass
3	Stem Holder (1/2 - 1") (1-1/4 - 2")	Brass Forged Brass
4	Bottom Cap (1/2 - 1") (1-1/4 - 2")	Brass Forged Brass
5	Stem	Hardened Steel
6	Cutter	SKD11 Steel
7	Plug	Viton <sup>®</sup>
8	Bolt	304 Stainless Steel
9	Nut	304 Stainless Steel
10	Cutter Screw	304 Stainless Steel
11	Washer	304 Stainless Steel
12	Gasket	Viton <sup>®</sup>
13	Washer	304 Stainless Steel
14	Washer	304 Stainless Steel
15	O-ring	Viton <sup>®</sup>
16	O-ring Holder	Brass
17	Seat Ring	304 Stainless Steel
18	Thread Tube	Brass
19	Washer	304 Stainless Steel
20	Spring Washer	304 Stainless Steel
21	Insert (2" only)	Brass

### Dimensions

Part No.	Size	A	B	C	D (Open)	D (Closed)
800-103ADD	1/2"	2.99	5.08	1.61	6.69	5.12
800-104ADD	3/4"	3.31	6.30	2.48	8.78	6.77
800-105ADD	1"	3.66	7.48	2.80	10.28	7.68
800-106ADD	1-1/4"	4.25	9.77	2.80	12.72	9.77
800-107ADD	1-1/2"	4.65	10.43	3.58	13.86	10.43
800-108ADD	2"	7.20	12.17	3.98	16.61	12.17