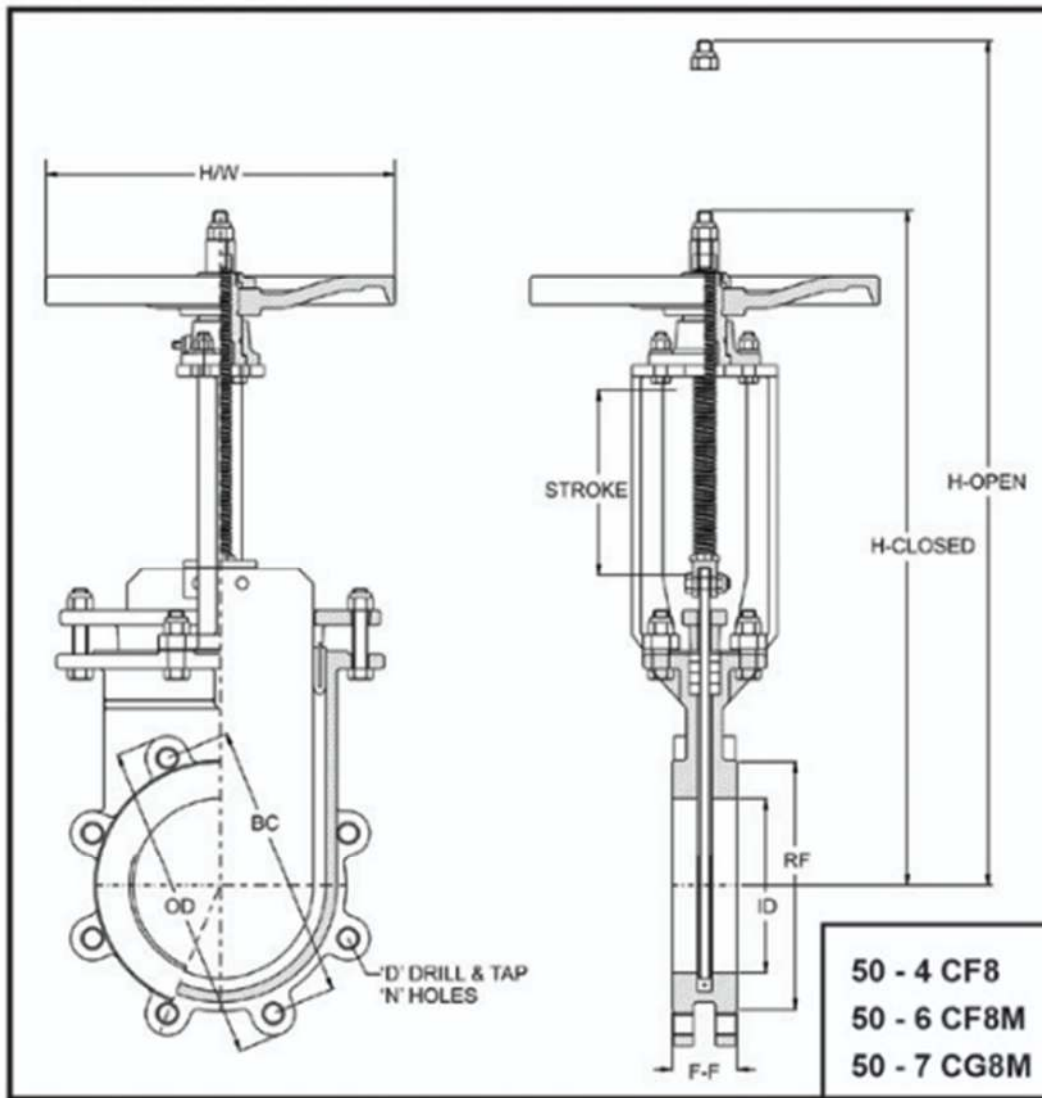


FIG 50 Knife Gate Valve Weight and Dimensions



Size		2"	3"	4"	6"	8"	10"	12"	14"	16"	18"	20"	24"	30"	36"
Face to Face	F-F	1-7/8"	2"	2"	2-1/4"	2-3/4"	2-3/4"	3"	3"	3-1/2"	3-1/2"	4-1/2"	4-1/2"		
Flange OD	OD	6"	7-1/2"	9"	11"	13-1/2"	16"	19"	21"	23-1/2"	25"	27-1/2"	32"		
Bolt Circle	BC	4-3/4"	6"	7-1/2"	9-1/2"	11-3/4"	14-1/4"	17"	18-3/4"	21-1/4"	22-3/4"	25"	29-1/2"		
Inside Diameter	ID	2"	3"	4"	6"	8"	10"	12"	13-5/8"	15-1/2"	17-1/2"	19-1/2"	23-3/8"		
Number of Holes	N	4	4	8	8	8	12	12	12	16	16	20	20		
Hole D&T Size	D	5/8"-11	5/8"-11	5/8"-11	3/4"-10	3/4"-10	7/8"-9	7/8"-9	1"-8	1"-8	1-1/8"-7	1-1/8"-7	1-1/4"-7		
C/L to Top Closed	H-Closed	13-5/8"	16"	17-3/4"	21-5/8"	26-3/4"	32-1/8"	36-3/8"	42"	46-3/4"	52-3/8"	56"	62-7/8"		
C/L to Top Open	H-OPEN	16"	19-3/4"	21-5/8"	27-3/4"	34-3/4"	42-3/4"	48-5/8"	55-1/4"	63-1/8"	70-1/2"	75-5/8"	85-5/8"		
Handwheel Dia.	H/W	8"	8"	8"	12"	12"	15"	15"	15"	20"	20"	20"	30"		
Raised Face Diameter	RF	3-5/8"	5"	6-3/16"	8-1/2"	10-5/8"	12-3/4"	15"	16-1/4"	18-1/2"	21"	23"	27-1/4"		
Weight (lbs.)		20	29	38	52	85	120	160	212	300	350	480	600	1169	2425

Fabricast Valve

FIGURE 50-PS RESILIENT SEATED KNIFE GATE VALVE

The Fabricast Valve FIG. 50-PS is a resilient (rubber) seated, perimeter sealed, knife gate valve featuring a cast stainless steel body, packing gland, and yoke. It is designed and tested to conform with MSS SP-81, and ASME B16.5 Class 150 specifications.

The heavy-duty cast body features a full-port I.D. and machined faces. It is designed to withstand up to 150 PSI of pressure as required by MSS SP-81.

As also required by this standard, the ground and machined stainless steel gate is designed to withstand pressures up to 150 PSI.

Our resilient/rubber seat provides a bi-directional, drip-tight seal across the gate for any pressure up to 150 PSI. It is flush with the bottom of the valve, making replacement quick and easy, and eliminating pockets to provide a smooth transition for the pipeline media.

The stainless steel stem resists corrosion, and is accompanied by a stainless steel stem nut retainer that protects the stem bushing from harsh environments, and reduces operating torque.

Our Teflon Synthetic Packing is rated standard with a Ph range of 3-11, and temperature rating up to 500° F.

Converting from the hand wheel operator to cylinder, bevel gear, or electric motor is easy and requires no additional welding.

Available in T304, T316, T317 Stainless Steel.

Flanges match ANSI 150LB, PN10, TABLE "D", JIS 10kg Standard with all tapped holes.

PREVIOUS MODEL NAME FV 150-PS

FABRICAST VALVE



Optional Operators



Cylinder



Lever



Electric



Bevel gear



Chain Wheel